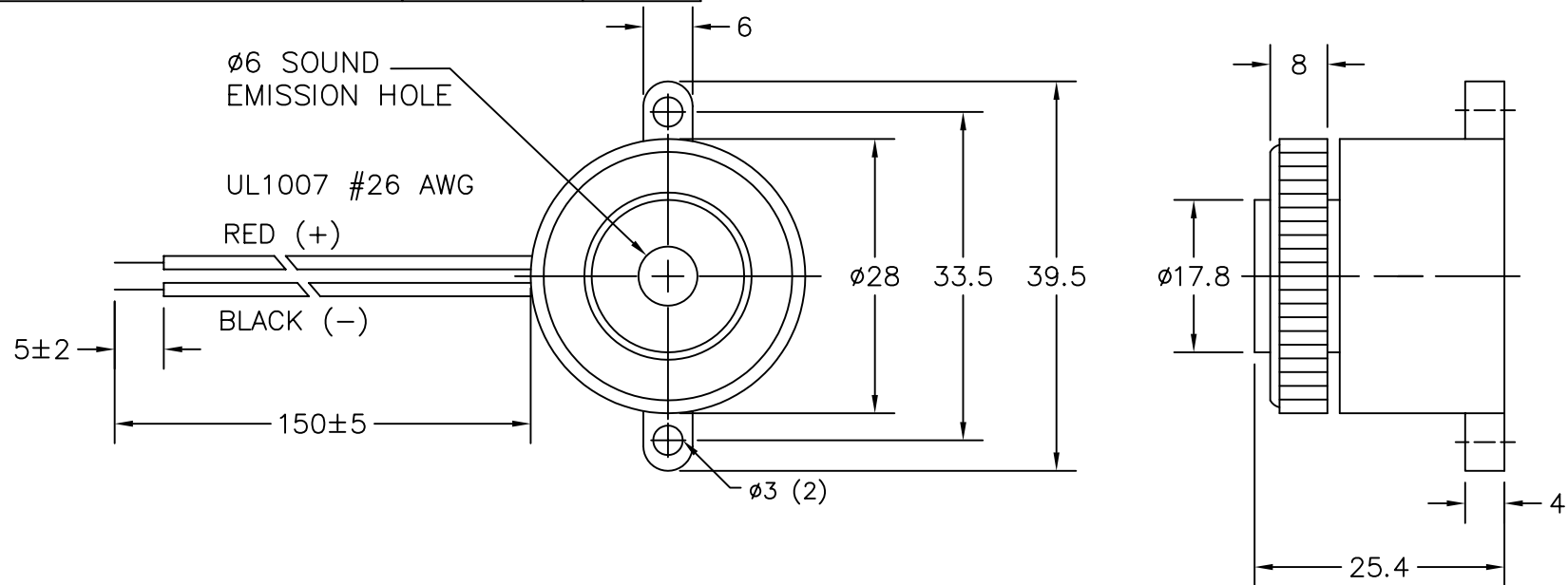


THIS DOCUMENT CONTAINS DATA PROPRIETARY TO PROJECTS UNLIMITED, INC. ANY USE OR REPRODUCTION, IN ANY FORM, WITHOUT PRIOR WRITTEN PERMISSION OF PROJECTS UNLIMITED, INC. IS PROHIBITED.  
© 2005, Projects Unlimited Inc.

### SPECIFICATIONS

PARAMETERS	VALUES	UNITS
RATED VOLTAGE	12	Vdc
OPERATING VOLTAGE RANGE	4 ~ 28	Vdc
RATED CURRENT (MAX)	5	mA
MINIMUM SPL @ 10 CM	92	dBA
RESONANT FREQUENCY	3500±500	Hz
TONE OR PULSE RATE	FAST PULSE	3 PULSE PER SECOND
OPERATING TEMPERATURE	-30 ~ +85	°C
STORAGE TEMPERATURE	-40 ~ +95	°C
HOUSING MATERIAL	ABS	-
TERMINAL MATERIAL	LEAD WIRE	-
WEIGHT	10.2	grams

REVISIONS			
LTR	DESCRIPTION	DATE	APPROVED
-	RELEASED FROM ENGINEERING	6/13/06	



#### NOTES:

1. ALL DIMENSIONS ARE IN MILLIMETERS.
2. SPECIFICATION SUBJECT TO CHANGE OR WITHDRAWAL WITHOUT NOTICE.
3. THIS PART IS RoHS 2002/95/EC COMPLIANT.

FILE NAME  
XL-2835-TF-FP-LW150-R.DWG

UNLESS OTHERWISE SPECIFIED:  
DIMENSIONS ARE IN  
MILLIMETERS, TOLERANCES ARE  $\pm 0.5$  AND  
ANGLES ARE  $\pm 3^\circ$ .

APPROVALS	DATE
DRAWN <i>J.D.</i>	6/06
CHECKED <i>E.P.</i>	6/06
APPROVED <i>B.R.</i>	6/06

DO NOT SCALE DRAWING



projects®  
unlimited

Dayton, Ohio

## INDICATOR

SIZE  
A

DRAWING NO.  
XL-2835-TF-FP-LW150-R

SCALE: N.T.S.

SHEET 1 OF 1